

CEE-Motor protection plugs contactor up to 7,5kW



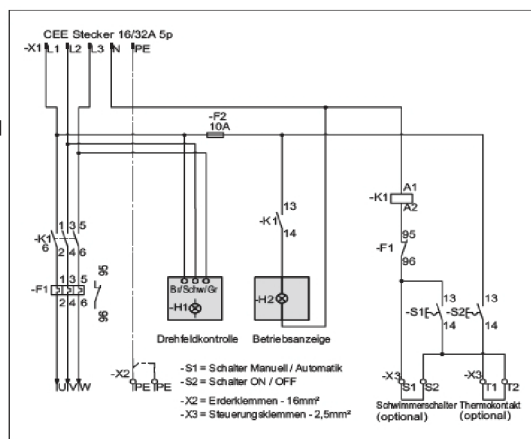
CEE-Motor protection plug contactor up to 5,5kW (16A) and 7,5kW (32A)

Technical data:

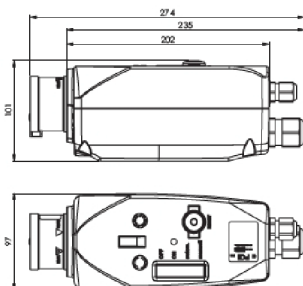
- enclosure material: PC/ABS
- protection degree: IP44
- IK standard acc. to EN50102: IK09
- temperature range: -25° C bis +40°C
- large connection area

Designs:

- with rocker switch ON/OFF and MANUELL/AUTOMATIC for the use of a float switch*
- with phase inverter plug
- rotation field check – anticlockwise phase sequence
- operating display – shows the voltage supply of the contactor and therefore of the consumer load
- external reset switch for the motor protection relay
- cable entry:
bottom part: 1x cable gland M25 (ø 13–18mm) at 16A and M32 (ø 13–20mm) at 32A
top part: 1x cable gland M16 (ø 5–10mm) for float switch (separate drill hole marking for a further M16 cable gland)



- ■ The CEE motor protection plug up to 7,5 kW provides reliable protection for thermal overloads and short circuits. It is used mainly for switching and the protection of three-phase AC motors up to 7,5 kW (400V) on pumps, circular saws and industrial motors etc ...

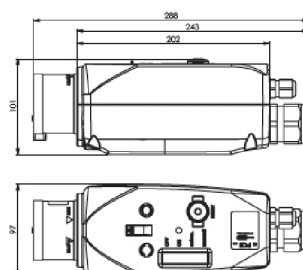


CEE-Motor protection plug with contactor 16A 5p 400V

- with phase inverter plug
- with operation display
- with rotation field check
- cable gland M25 (13–18mm)

IP44 splashproof

setting-range	contactor (AC3)	16A
1,0 - 1,6A	4,0 kW	5571501000
1,6 - 2,4A	4,0 kW	5571501600
2,4 - 4,0A	4,0 kW	5571502400
4,0 - 6,0A	4,0 kW	5571506000
6,0 - 10A	5,5 kW	5571510000
9,0 - 12A	5,5 kW	5571512000
12 - 16A	7,5 kW	5571516000



CEE-Motor protection plug with contactor 32A 5p 400V

- with phase inverter plug
- with operation display
- with rotation field check
- cable gland M32 (13–20mm)

IP44 splashproof

setting-range	contactor (AC3)	32A
6,0 - 10A	7,5 kW	5572510000
9,0 - 12A	7,5 kW	5572512000
12 - 16A	7,5 kW	5572516000

* Float switch see page 193